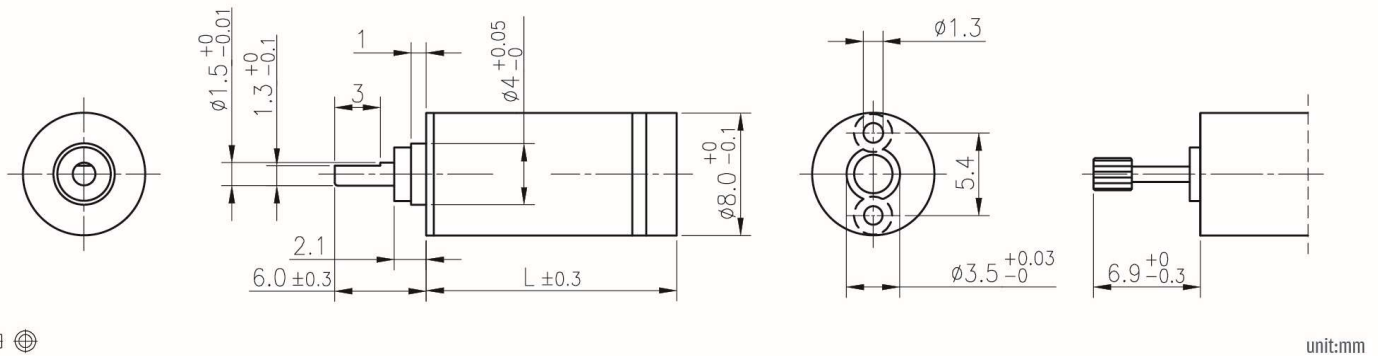


## IG-10



### Appearance Size & Pinion Assembly Dimension



### Product Specifications

外殼材質 Housing material	輸出軸承型式 Bearing at output	徑向負荷 Radial load (5mm from flange)	軸向負荷 Shaft axial load	主軸最大承受壓入力 Shaft press fit force, max.	徑向間隙 Radial play of shaft	軸向間隙 Thrust play of shaft	背隙(無負荷時) Backlash, at no-load
金屬 Metal	----	$\leq 100$ gf	$\leq 200$ gf	$\leq 500$ gf	$\leq 0.05$ mm	$\leq 0.2$ mm	$\leq 3^\circ$

### Pinion Specifications

模數 Module	齒數 No. of teeth	壓力角 Pressure angle	孔徑 (mm) Hole diameter	減速比 Reduction ratio
0.2	12	$20^\circ$	$\phi 0.99$	全種通用 Practicable

### Gearboxes Specifications

減速比 Reduction ratio	1/4	1/16	1/64	1/256	1/1024	1/4096
定格容許扭力 (gf-cm Max.) Rated tolerance torque	50	100	300	400	500	600
瞬間容許扭力 (gf-cm) Max momentary tolerance torque	150	300	900	1200	1500	1800
效率 Efficiency	85%	75%	65%	55%	45%	40%
長度 Length (L)	11.7	14.8	17.9	21	24.1	27.2
重量 (含油軸承) Weight (g) /Sleeve bearings	6.2	7.2	8.2	10.2	11.2	13.2

- 使用相對溼度：20%~85%RH  
Operating relative humidity
- 使用溫度範圍：-10°C~+60°C  
Operating temperature range